

Caterpillar

Caterpillar's flexible and adaptable design creates refined solutions for a variety of contexts. The modular nature of the Caterpillar collection allows for a multitude of combinations that adjust to users' changing needs with elegance. Smoothed edges and fluid lines create a relaxed tone in which creativity meets considered simplicity.







Caterpillar

Information

Design

Alexander Lotersztain, 2018

Environment

Indoor

Warranty

5 year structural

Certifications

GECA certified

Materials

Dunlop Enduro® foam with MDF substrate, upholstered in Customer's Own Material (COM) and/or Leather (COL). Side table consists of powder coated mild steel base with solid timber table top.

Notes

1. Each seating unit supplied with linking plate, used to connect units together.
2. Power units can be incorporated in seat front.

Finishes

Upholstery



Fabric
COM



Leather
COL

Side Table Base



White
Powder Coat



Black
Powder Coat

Side Table Top



American Oak



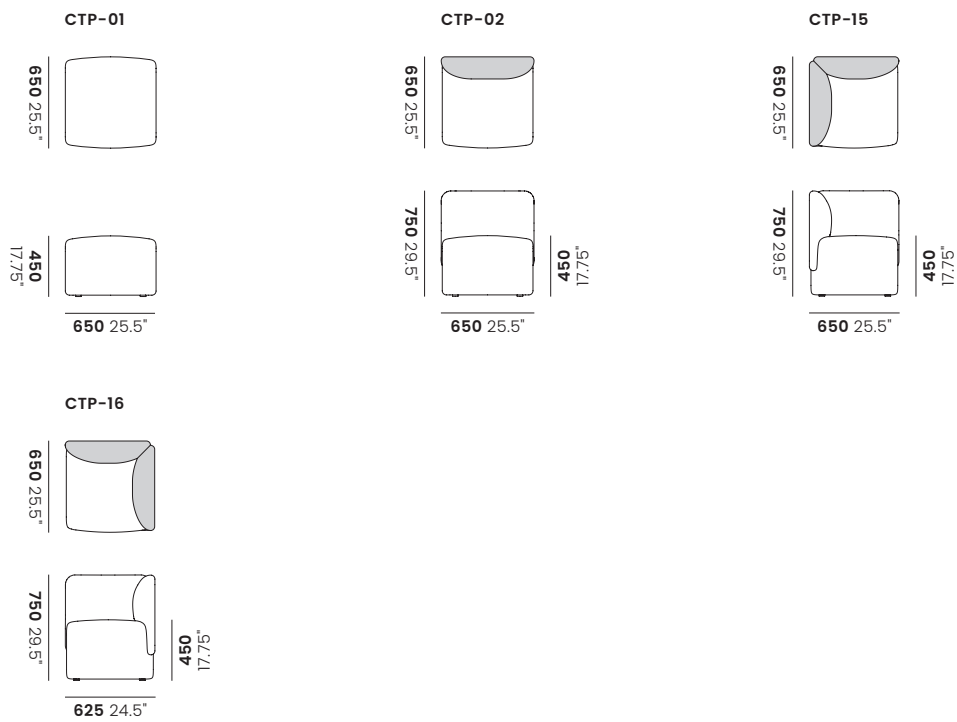
Black Stained
American Oak



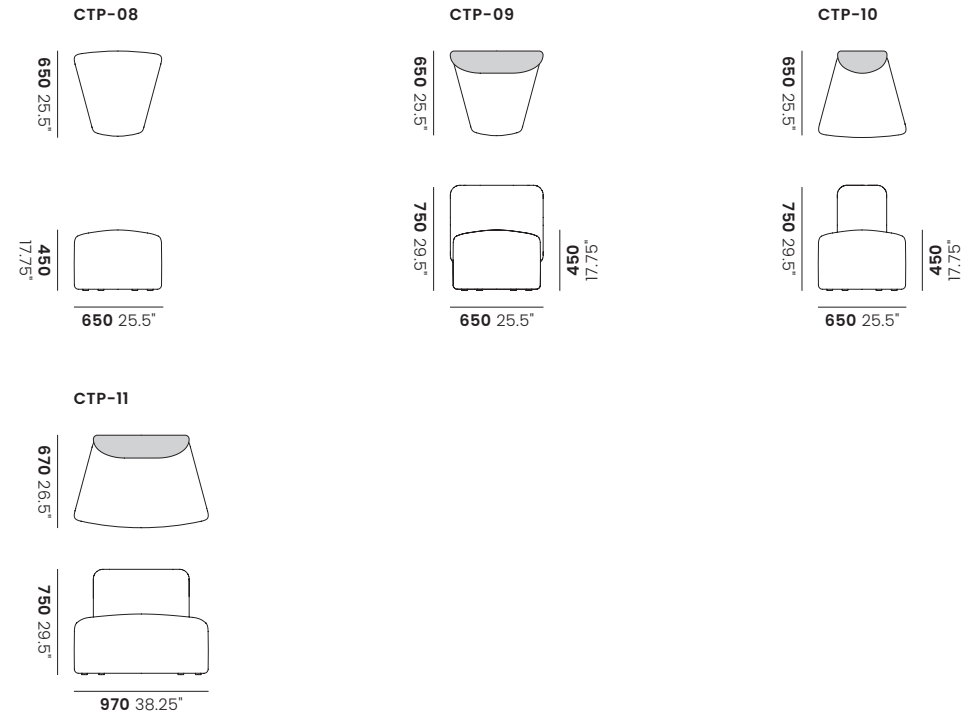
American Walnut

Dimensions

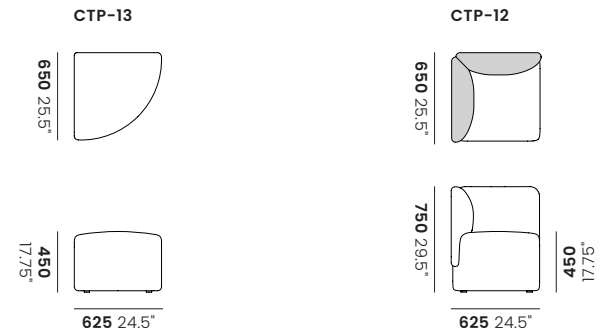
Single Seat



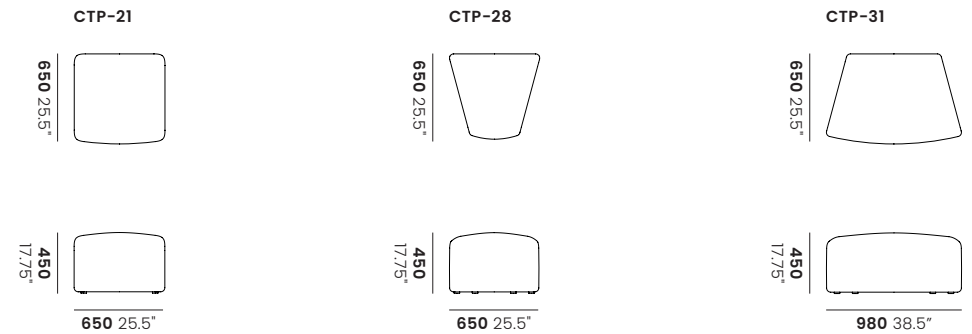
30° Angled Seat



Corner Seat



Back to Back Seat



Side Table

CTP-ACC-01

