

# Lovoc

## Worktop Mounted Upholstered Screen

### Materials Information

#### Upholstered Screen

Fabric

- a. Customer Supplied Fabric
- b. Thinking Works Preferred Fabric

#### Screen Mounts

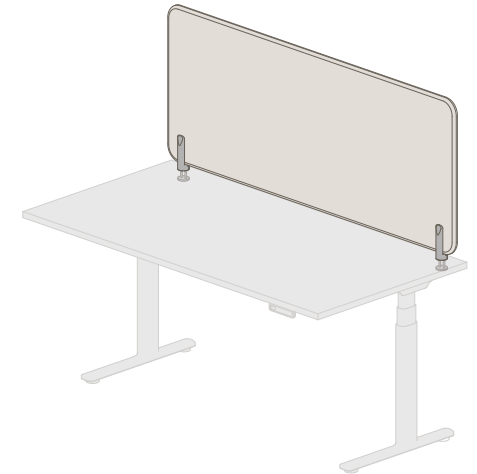
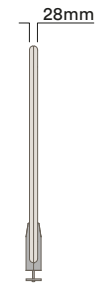
Powdercoat Aluminium Screen Mount and Extrusion

- a. Noir
- b. Blanc

### WSS-I-1460 / 1480 / 1860 / 1880 / 2160 / 2180 Series



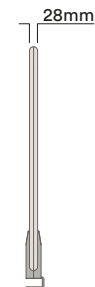
### Worktop Mounted - Bolt Through Mounted - Lovoc Screen



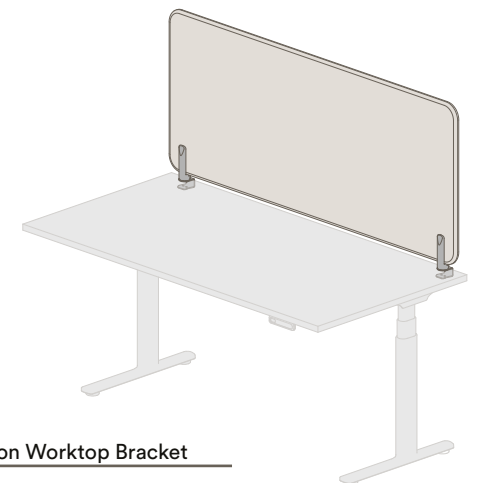
### WSS-I-1460 / 1480 / 1860 / 1880 / 2160 / 2180 Series



### Worktop Mounted - Slide On - Lovoc Screen



Slide-on Worktop Bracket



#### \*Note:

Shown sizes are for rectangular Worktops only.  
For screens to suit 90°, 120° & clusters - please  
consult your Thinking Works representative.

# Lovoc

## Worktop Rear Mounted Upholstered Screen

### Materials Information

#### Upholstered Screen

Fabric

- a. Customer Supplied Fabric
- b. Thinking Works Preferred Fabric

#### Screen Mounts

Powdercoat Aluminium Screen Mount and Extrusion

- a. Noir
- b. Blanc

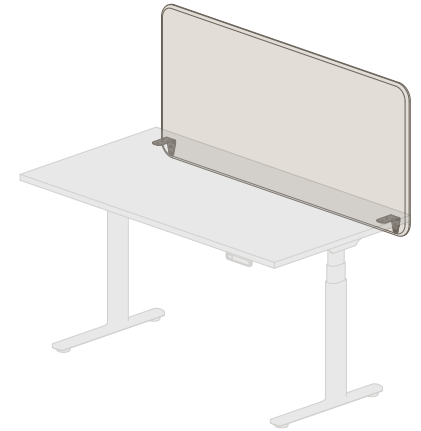
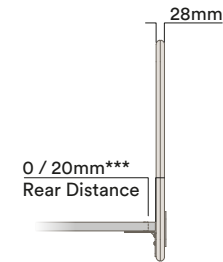
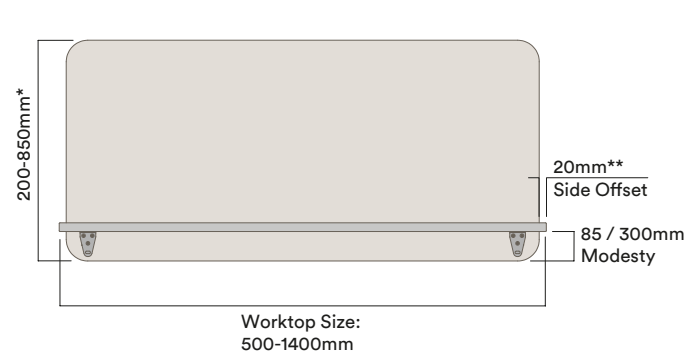
#### Compatibility:

Single-sided Workstations:  
85 / 300mm Modesty

Double-sided Workstations:  
85mm Modesty

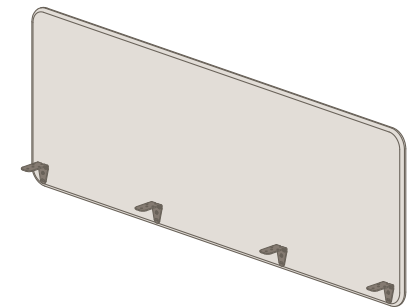
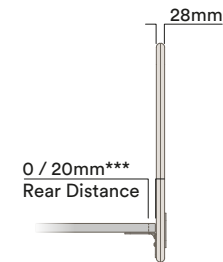
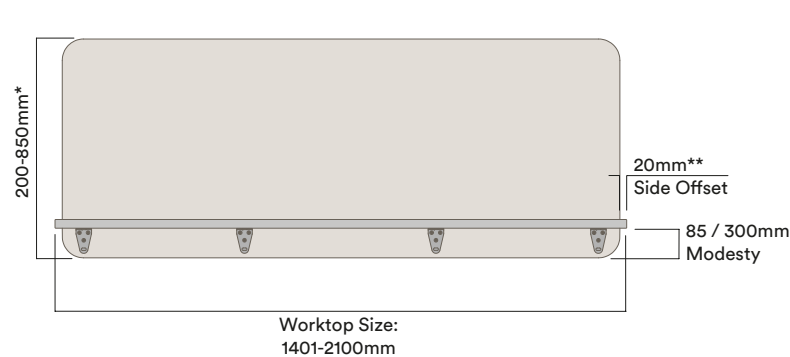
### WSS-I-1460 / 1480 / 1860 / 1880 / 2160 / 2180 Series

### Worktop Mounted - I-Shape - Lovoc Screen - 2 Brackets



### WSS-I-1460 / 1480 / 1860 / 1880 / 2160 / 2180 Series

### Worktop Mounted - I-Shape - Lovoc Screen - 4 Brackets



#### \*Note:

200-640mm Height Range A  
641-850mm Height Range B

#### \*\*Note:

For custom offset please consult your Thinking Works representative.

#### \*\*\*Note:

Screen can be flush to worktop or with 20mm gap.  
Compatible with shark nose (see page 13 & 14).

#### \*\*\*\*Note:

Shown sizes are for rectangular Worktops only.  
For screens to suit 90°, 120° & clusters - please consult your Thinking Works representative.

# Lovoc

## Worktop Rear Mounted Upholstered Screen

### Materials Information

#### Upholstered Screen

Fabric

- a. Customer Supplied Fabric
- b. Thinking Works Preferred Fabric

#### Screen Mounts

Powdercoat Aluminium Screen Mount and Extrusion

- a. Noir
- b. Blanc

#### Compatibility:

Single-sided Workstations:  
85 / 300mm Modesty

Double-sided Workstations:  
85mm Modesty

#### \*Note:

200-640mm Height Range A  
641-850mm Height Range B

#### \*\*Note:

For custom offset please consult your Thinking Works representative.

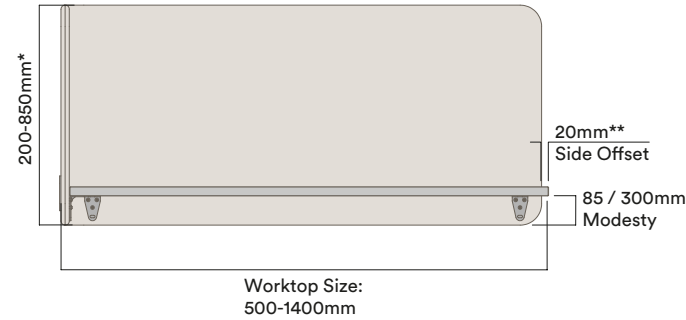
#### \*\*\*Note:

Screen can be flush to worktop or with 20mm gap.  
Compatible with shark nose (see page 13 & 14).

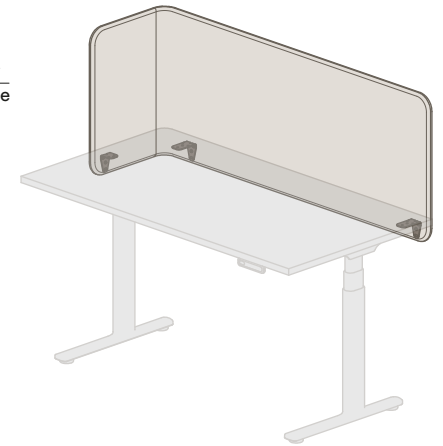
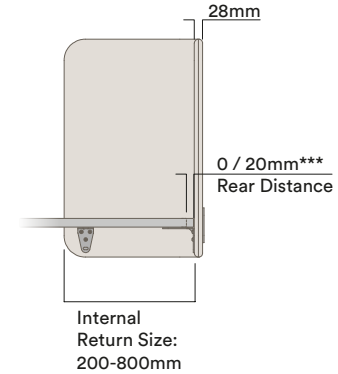
#### \*\*\*\*Note:

Shown sizes are for rectangular Worktops only.  
For screens to suit 90°, 120° & clusters - please consult your Thinking Works representative.

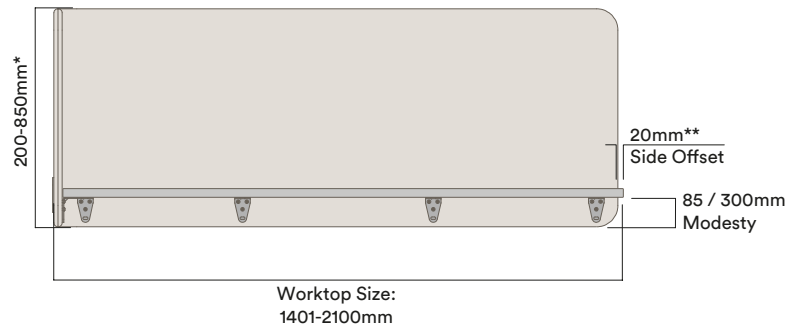
### WSS-90-1460 / 1480 / 1860 / 1880 / 2160 / 2180 Series



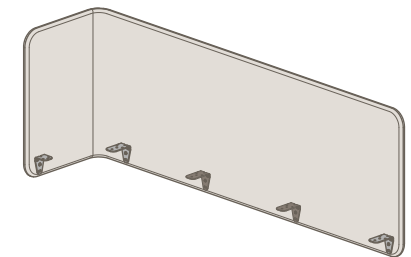
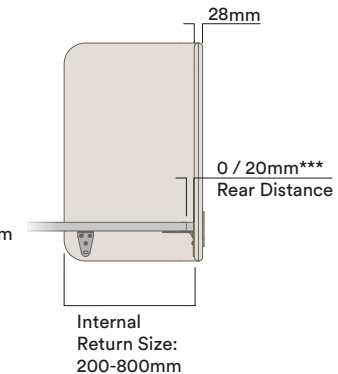
### Worktop Mounted - 90° L-Shape LHS - Lovoc Screen - 3 Brackets



### WSS-90-1460 / 1480 / 1860 / 1880 / 2160 / 2180 Series



### Worktop Mounted - 90° L-Shape LHS - Lovoc Screen - 5 Brackets



# Lovoc

## Worktop Rear Mounted Upholstered Screen

### Materials Information

#### Upholstered Screen

Fabric

- a. Customer Supplied Fabric
- b. Thinking Works Preferred Fabric

#### Screen Mounts

Powdercoat Aluminium Screen Mount and Extrusion

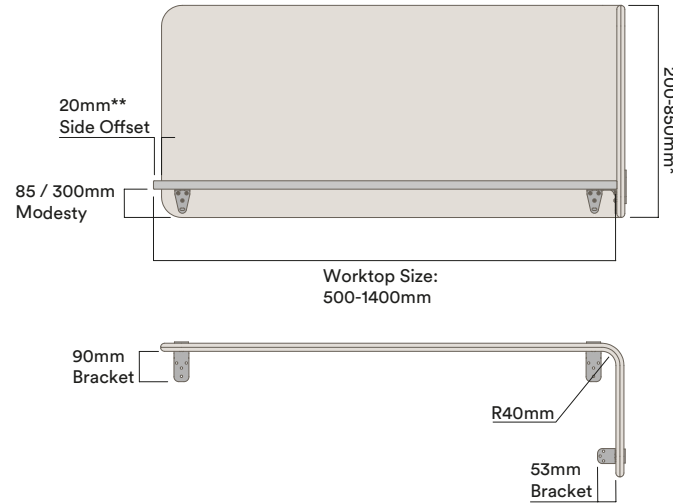
- a. Noir
- b. Blanc

#### Compatibility:

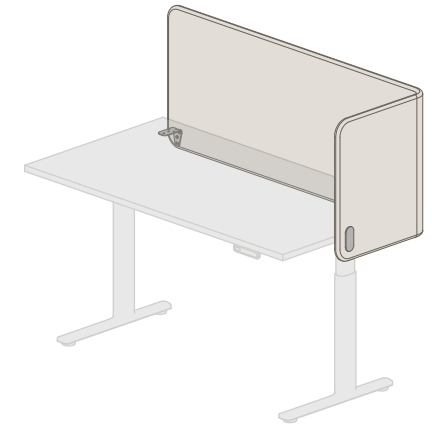
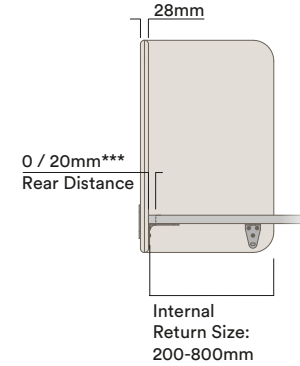
Single-sided Workstations:  
85 / 300mm Modesty

Double-sided Workstations:  
85mm Modesty

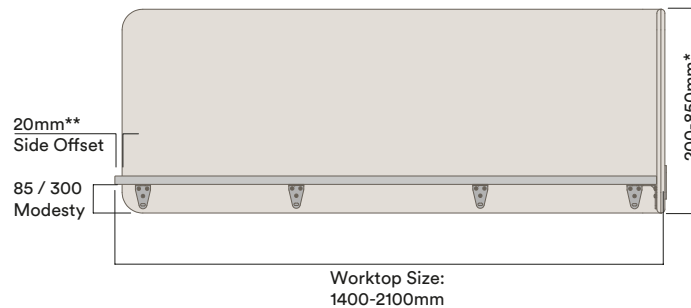
### WSS-90-1460 / 1480 / 1860 / 1880 / 2160 / 2180 Series



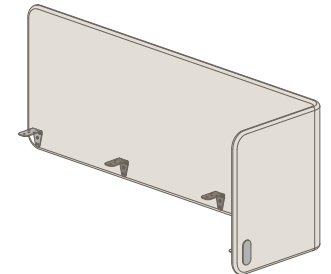
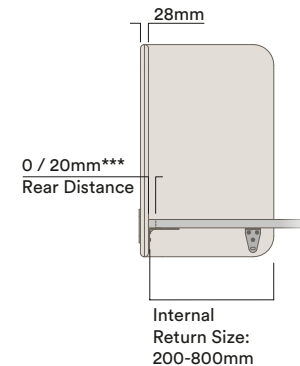
### Worktop Mounted - 90° L-Shape RHS - Lovoc Screen - 3 Brackets



### WSS-90-1460 / 1480 / 1860 / 1880 / 2160 / 2180 Series



### Worktop Mounted - 90° L-Shape RHS - Lovoc Screen - 5 Brackets



#### \*Note:

200-640mm Height Range A  
641-850mm Height Range B

#### \*\*Note:

For custom offset please consult your Thinking Works representative.

#### \*\*\*Note:

Screen can be flush to worktop or with 20mm gap.  
Compatible with shark nose (see page 13 & 14).

#### \*\*\*\*Note:

Shown sizes are for rectangular Worktops only.  
For screens to suit 90°, 120° & clusters - please consult your Thinking Works representative.

# Lovoc

## Worktop Rear Mounted Upholstered Screen

### Materials Information

#### Upholstered Screen

Fabric

- a. Customer Supplied Fabric
- b. Thinking Works Preferred Fabric

#### Screen Mounts

Powdercoat Aluminium Screen Mount and Extrusion

- a. Noir
- b. Blanc

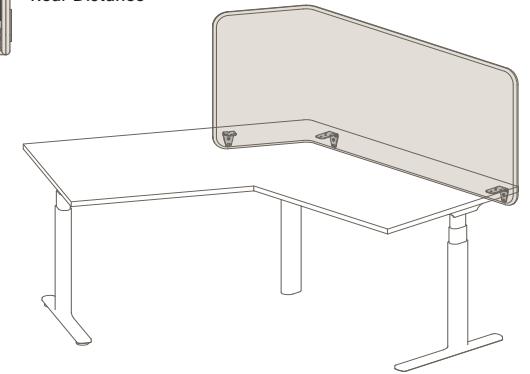
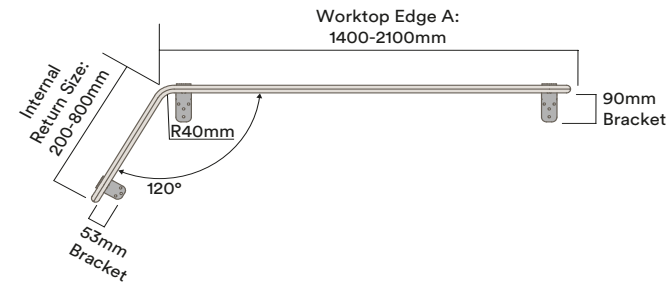
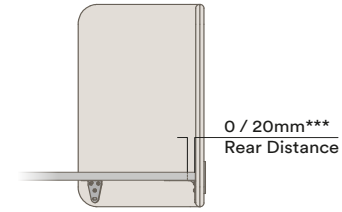
#### Compatibility:

Single-sided Workstations:  
85 / 300mm Modesty

Double-sided Workstations:  
85mm Modesty

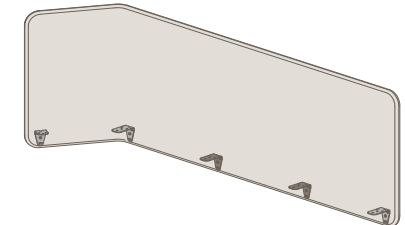
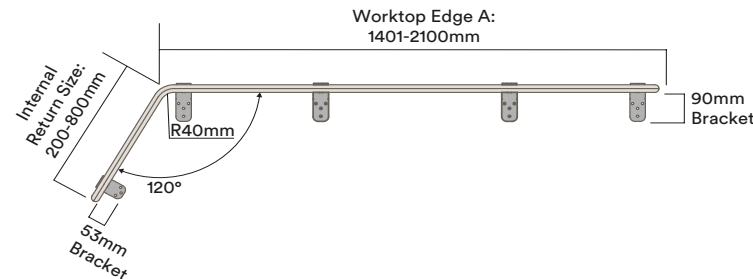
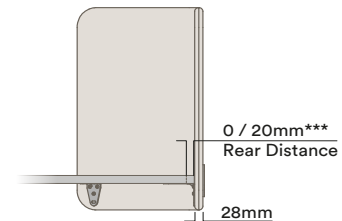
### WSS-120-1460 / 1480 / 1860 / 1880 / 2160 / 2180 Series

### Worktop Mounted - 120° L-Shape LHS - Lovoc Screen - 3 Brackets



### WSS-120-1460 / 1480 / 1860 / 1880 / 2160 / 2180 Series

### Worktop Mounted - 120° L-Shape LHS - Lovoc Screen - 5 Brackets



#### \*Note:

200-640mm Height Range A  
641-850mm Height Range B

#### \*\*Note:

For custom offset please consult your Thinking Works representative.

#### \*\*\*Note:

Screen can be flush to worktop or with 20mm gap.  
Compatible with shark nose (see page 13 & 14).

#### \*\*\*\*Note:

Shown sizes are for rectangular Worktops only.  
For screens to suit 90°, 120° & clusters - please consult your Thinking Works representative.

# Lovoc

## Worktop Rear Mounted Upholstered Screen

### Materials Information

#### Upholstered Screen

Fabric

- a. Customer Supplied Fabric
- b. Thinking Works Preferred Fabric

#### Screen Mounts

Powdercoat Aluminium Screen Mount and Extrusion

- a. Noir
- b. Blanc

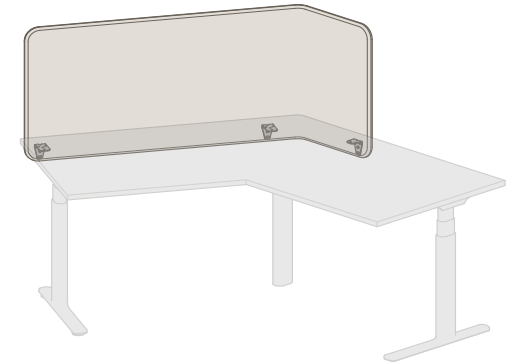
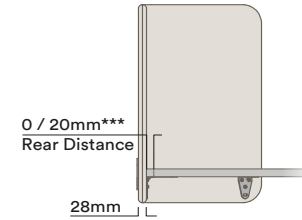
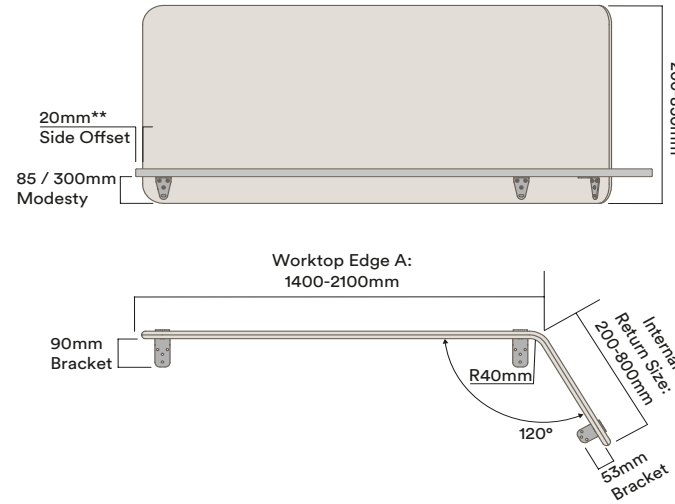
#### Compatibility:

Single-sided Workstations:  
85 / 300mm Modesty

Double-sided Workstations:  
85mm Modesty

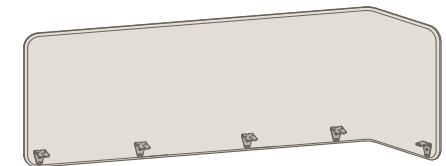
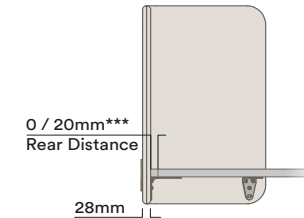
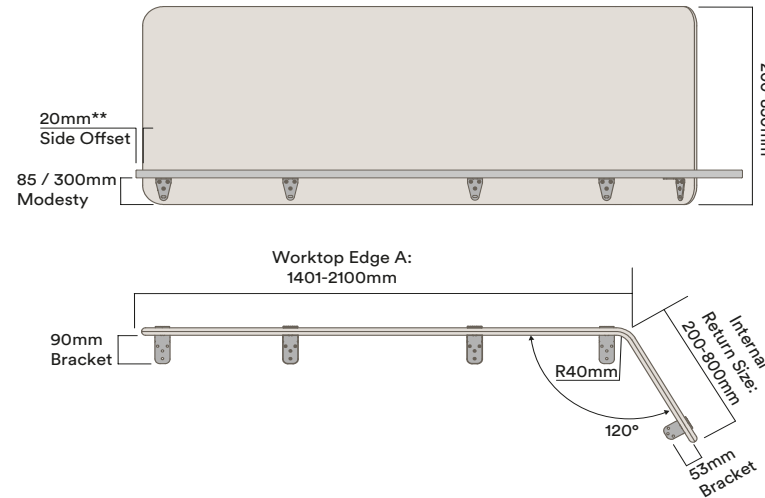
### WSS-120-1460 / 1480 / 1860 / 1880 / 2160 / 2180 Series

### Worktop Mounted - 120° L-Shape RHS - Lovoc Screen - 3 Brackets



### WSS-120-1460 / 1480 / 1860 / 1880 / 2160 / 2180 Series

### Worktop Mounted - 120° L-Shape RHS - Lovoc Screen - 5 Brackets



#### \*Note:

200-640mm Height Range A  
641-850mm Height Range B

#### \*\*Note:

For custom offset please consult your Thinking Works representative.

#### \*\*\*Note:

Screen can be flush to worktop or with 20mm gap.  
Compatible with shark nose (see page 13 & 14).

#### \*\*\*\*Note:

Shown sizes are for rectangular Worktops only.  
For screens to suit 90°, 120° & clusters - please consult your Thinking Works representative.

# Lovoc

## Worktop Rear Mounted Upholstered Screen

### Materials Information

#### Upholstered Screen

Fabric

- a. Customer Supplied Fabric
- b. Thinking Works Preferred Fabric

#### Screen Mounts

Powdercoat Aluminium Screen Mount and Extrusion

- a. Noir
- b. Blanc

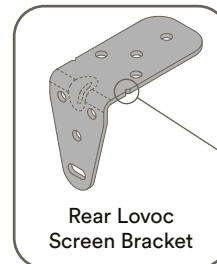
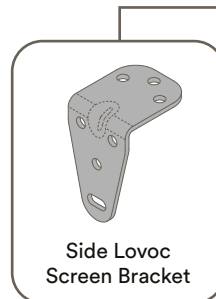
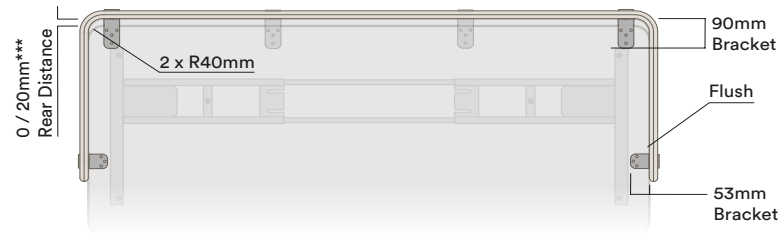
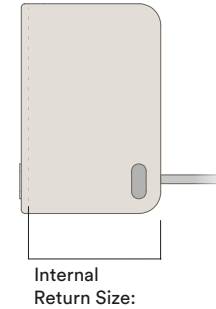
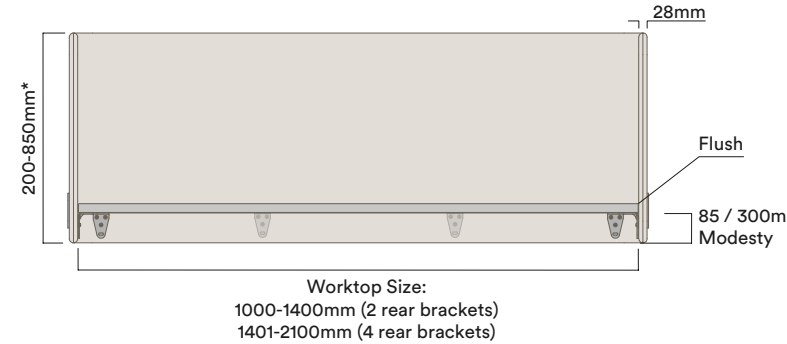
#### Compatibility:

Single-sided Workstations:  
85 / 300mm Modesty

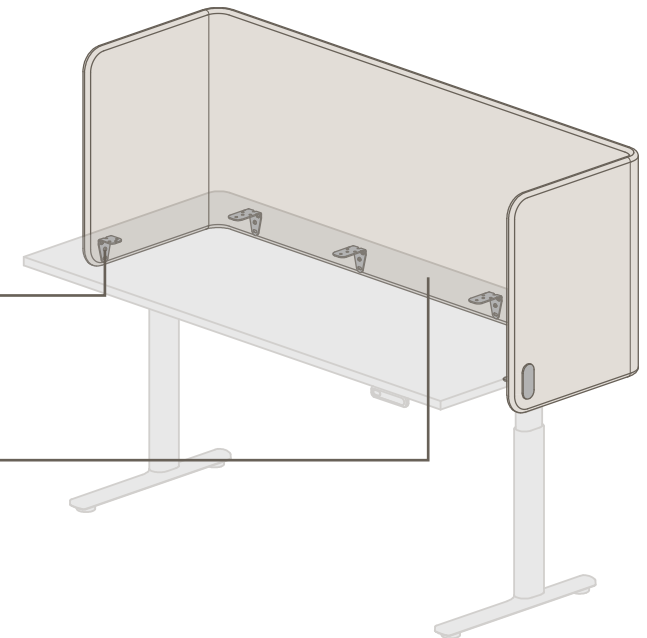
Double-sided Workstations:  
85mm Modesty

WSS-U-1460 / 1480 / 1860 / 1880 / 2160 / 2180 Series

Worktop Mounted - U-Shape - Lovoc Screen - 4 or 6 Brackets



Notch indicates worktop position for 20mm gap



#### \*Note:

200-640mm Height Range A  
641-850mm Height Range B

#### \*\*Note:

Screen can be flush to worktop or with 20mm gap.  
Compatible with shark nose (see page 13 & 14).

#### \*\*\*Note:

Shown sizes are for rectangular Worktops only.  
For screens to suit 90°, 120° & clusters - please consult your Thinking Works representative.

Shorter side bracket prevents interference with desk frame.  
*Applies to all rear worktop mounted Lovoc Screens.*

# Lovoc Rear Worktop Mounting Positions

## Materials Information

### Upholstered Screen

Fabric

- a. Customer Supplied Fabric
- b. Thinking Works Preferred Fabric

### Screen Mounts

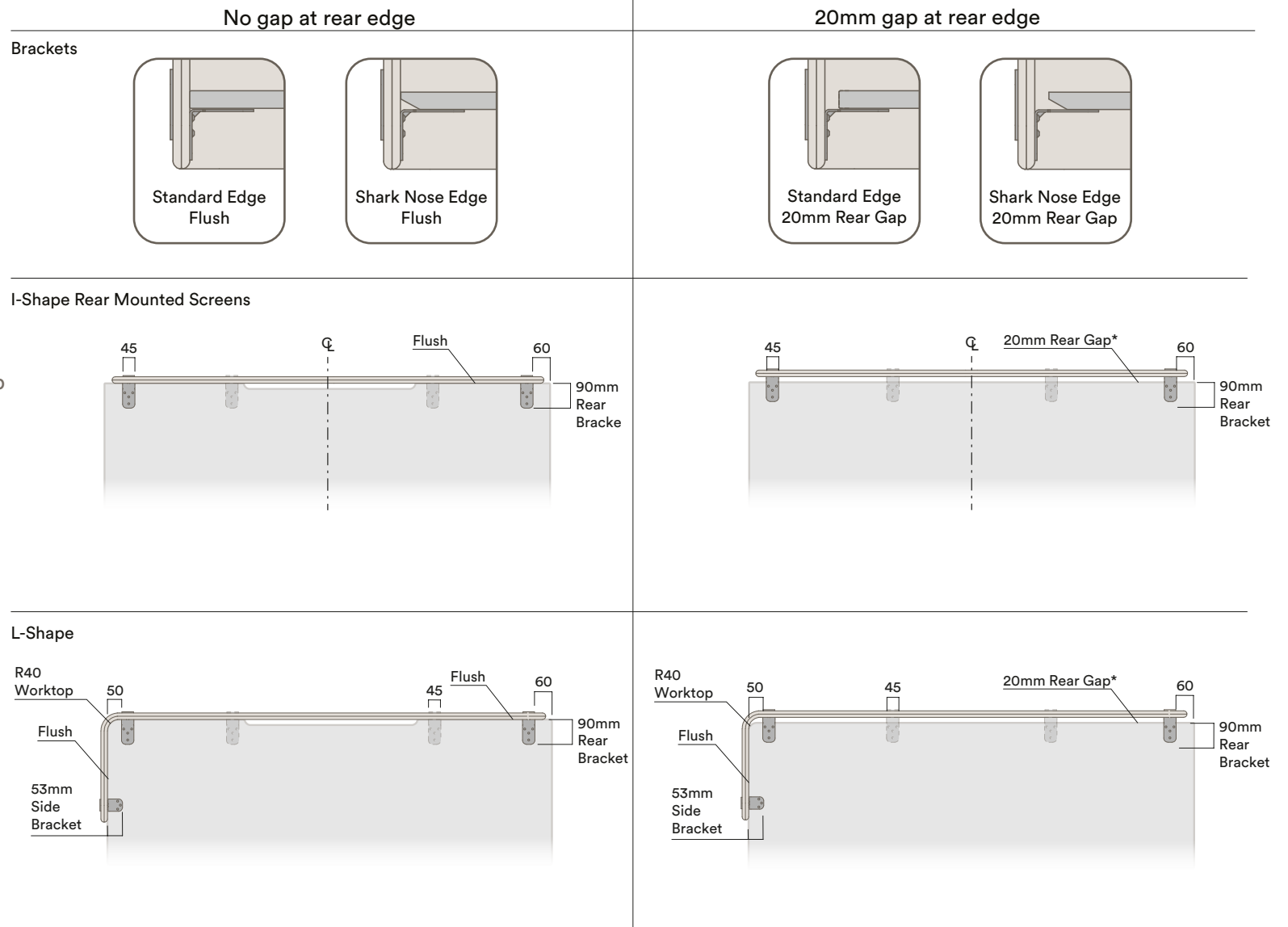
Powdercoat Aluminium Screen Mount and Extrusion

- a. Noir
- b. Blanc

### Information:

Rear mounted Lovoc can be flush to worktop or with 20mm at rear. All brackets are suitable for 10mm x 60° shark nose edge. Applies to all rear worktop mounted LV screens.

## Lovoc rear worktop mounted bracket positions



### \*Note:

On double sided workstations the position of the worktop needs to come forward by 20mm to make room for rear mounted screens with 20mm gap.



# Lovoc

## Rear Worktop Mounting Positions

### Materials Information

#### Upholstered Screen

Fabric

- a. Customer Supplied Fabric
- b. Thinking Works Preferred Fabric

#### Screen Mounts

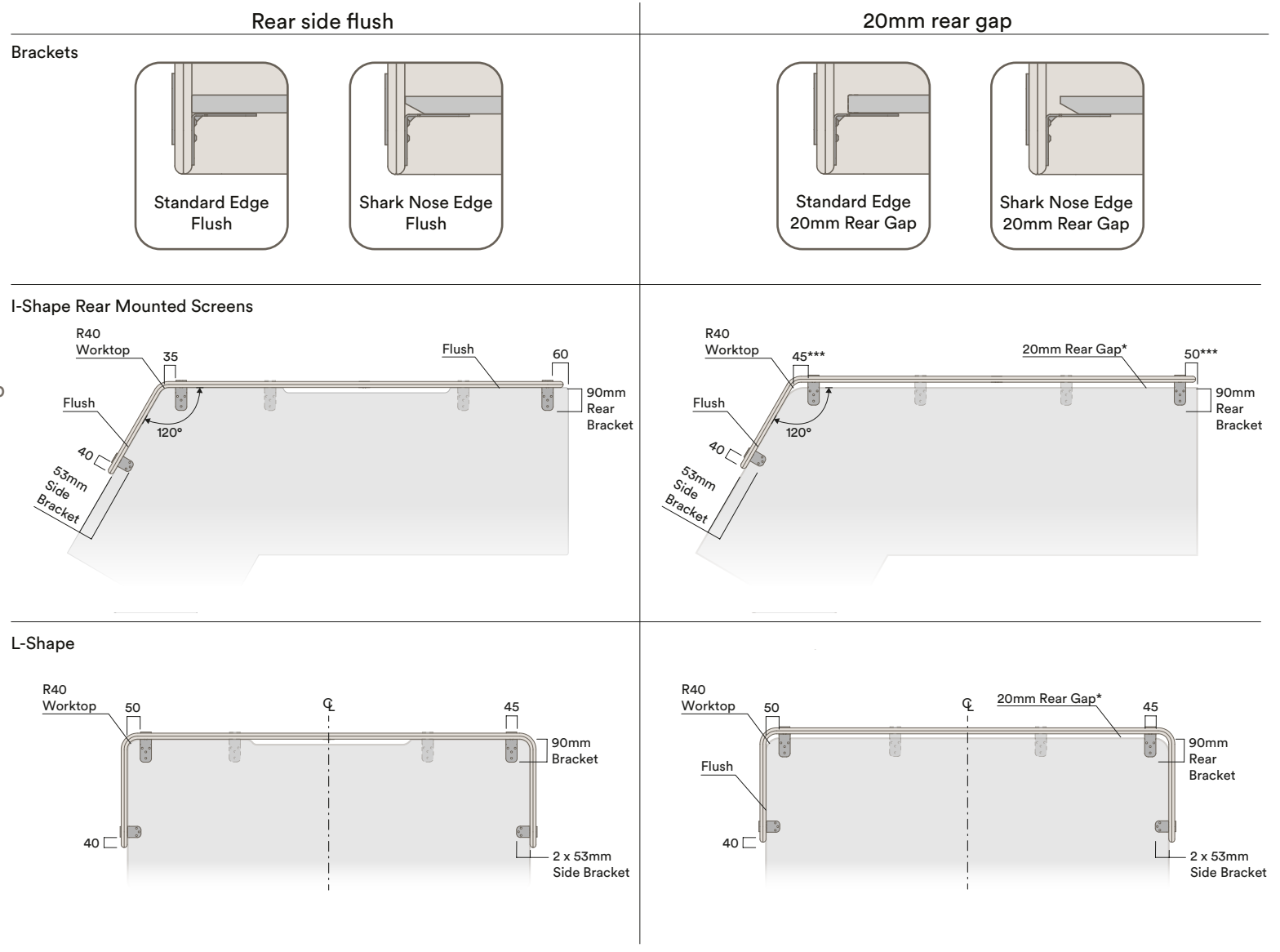
Powdercoat Aluminium Screen Mount and Extrusion

- a. Noir
- b. Blanc

#### Information:

Rear mounted Lovoc can be flush to worktop or with 20mm at rear. All brackets are suitable for 10mm x 60° shark nose edge. Applies to all rear worktop mounted LV screens.

### Lovoc rear worktop mounted bracket positions



#### \*Note:

On double sided workstations the position of the worktop needs to come forward by 20mm to make room for rear mounted screens with 20mm gap.

# Lovoc Split Screen Design

## Design Information

## Split Screen

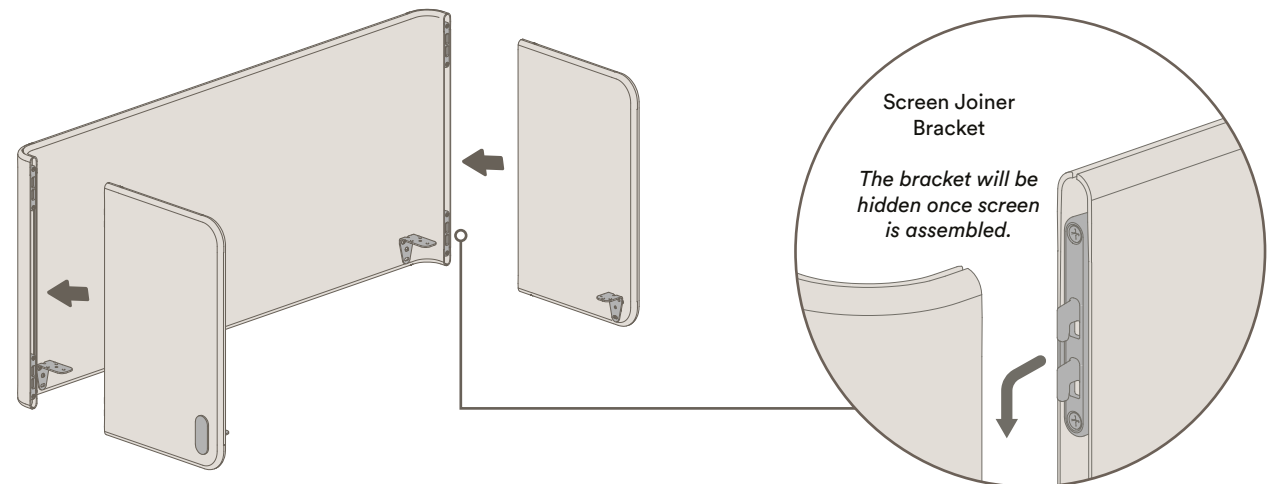
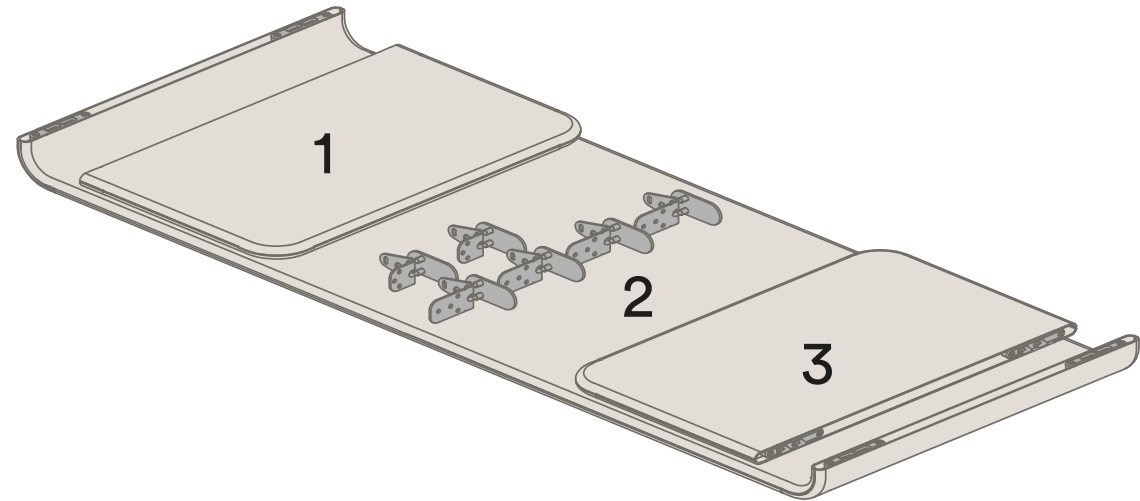
### Split Screen Design

At Thinking Works, we are constantly striving to improve our products to achieve the best possible result.

We strongly believe that a sustainable product should be transported in the most sustainable way. The Lovoc Split Screen design allows all U- and L-shaped Lovoc Screens to be split into flat sections for more compact transportation. The new design reduces the carbon footprint, carries less risk of damage during transport and improves handling on site.

Moreover, the split design significantly reduces freight costs.

The screen can be assembled without tools on site and won't come apart once fixed to the worktop.



# Lovoc Frame Mounted Upholstered Screen

## Materials Information

WSS-I-1460 / 1480 / 1860 / 1880 / 2160 / 2180 Series

Frame Mounted - Single-Sided - Lovoc Screen

### Upholstered Screen

Fabric

- a. Customer Supplied Fabric
- b. Thinking Works Preferred Fabric

### Screen Mounts

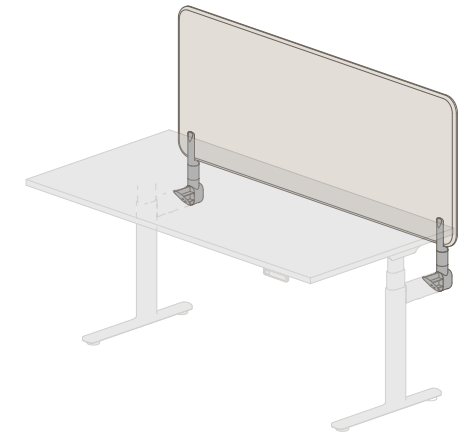
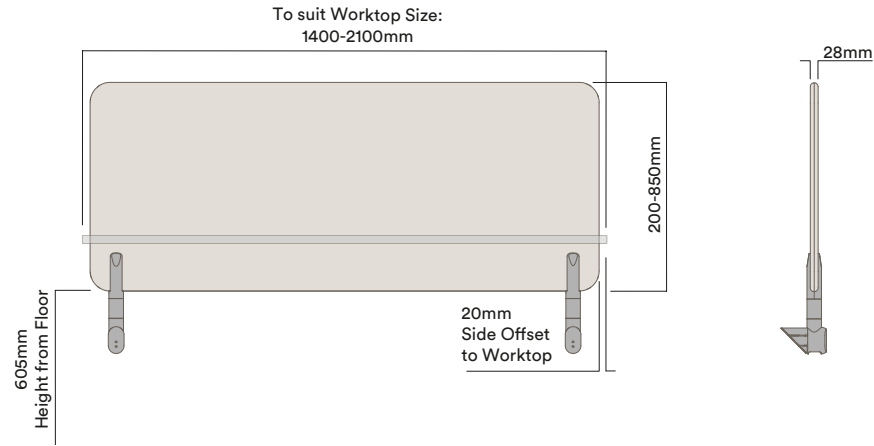
Powdercoat Aluminium Screen Mount and Extrusion

- a. Noir
- b. Blanc

### Compatibility:

**Single Side beam mount compatible with:**

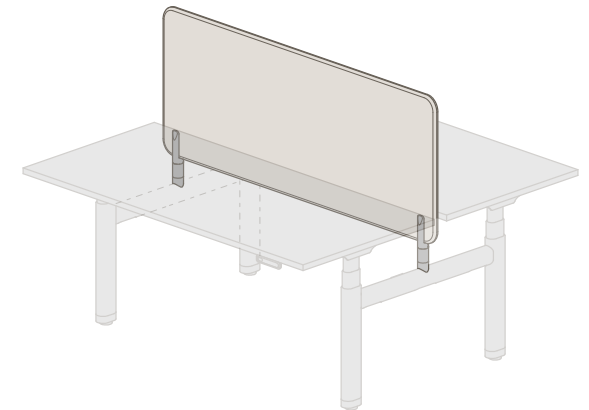
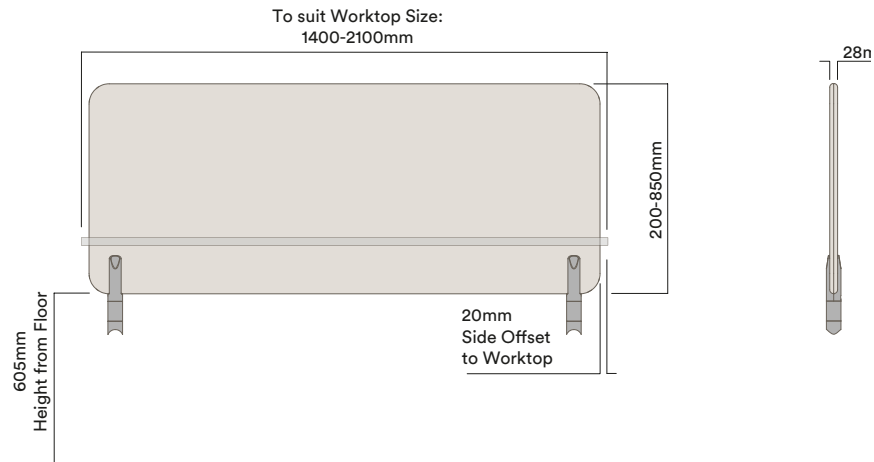
- a. Ovation - Fixed - single-sided
- b. Ovation - Electric - single-sided



**Double side beam mount compatible with:** WSS-I-1460 / 1480 / 1860 / 1880 / 2160 / 2180 Series

Frame Mounted - Double-Sided - Lovoc Screen

- a. Ovation - Fixed - double-sided
- b. Ovation - Electric - double-sided
- c. Bambusa Stix - Electric - double-sided



**\*Note:**

Shown sizes are for rectangular Worktops only. For screens to suit 90°, 120° & clusters - please consult your Thinking Works representative.

**\*\*Note:**

When fitted to Ovation Fixed Height Clusters there are additional bridge brackets required to mount screens. Please refer to page 17.

# Lovoc

## Frame Mounted Upholstered Screen on Bambusa Stix - Fixed Height

### Materials Information

WSS-I-1460 / 1480 / 1860 / 1880 / 2160 / 2180 Series

Stix Top Horn Mounted - Double-Sided - Lovoc Screen

### Upholstered Screen

Fabric

- a. Customer Supplied Fabric
- b. Thinking Works Preferred Fabric

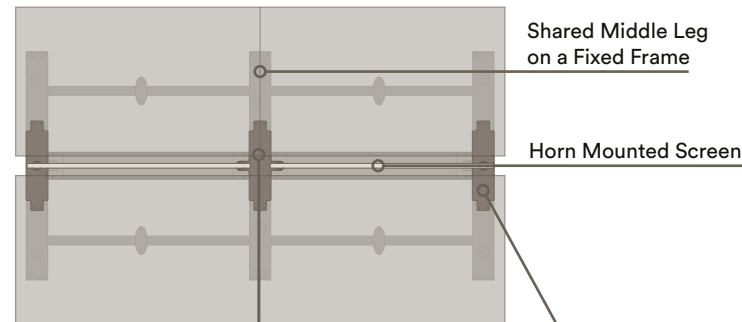
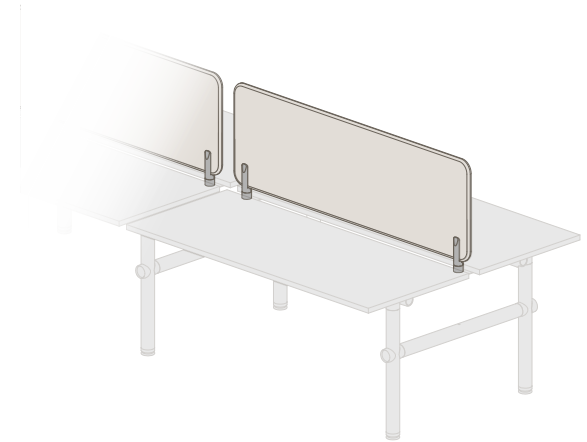
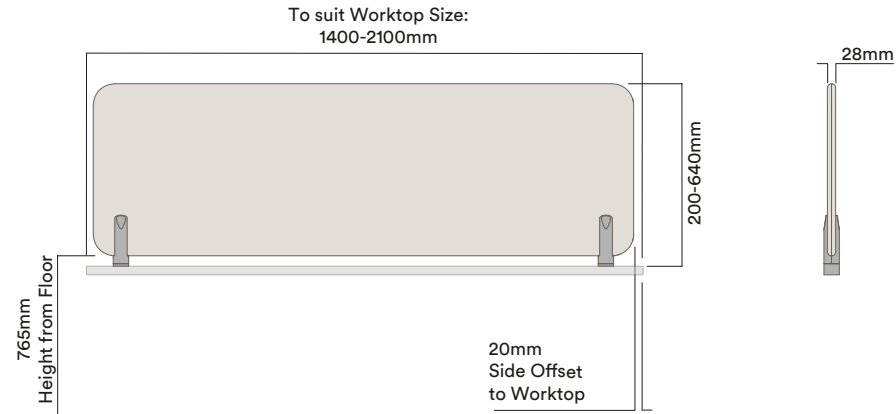
### Screen Mounts

Powdercoat Aluminium Screen Mount and Extrusion

- a. Noir
- b. Blanc

### Compatible with:

- a. Bambusa Stix - Fixed - double-sided



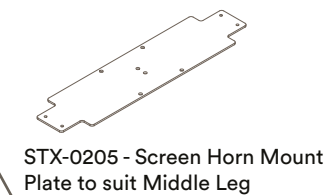
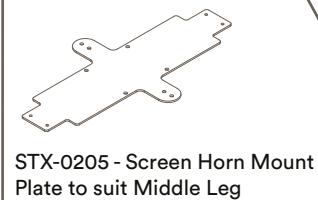
PRODUCT CODE	STX-0204 SCREEN HORN MOUNT PLATE SUITS END LEG	STX-0205 SCREEN HORN MOUNT PLATE SUITS MIDDLE LEG
WSA-5022	x 2	x 1
WSA-5023	x 2	x 2
WSA-5024	x 2	x 3
WSA-5025	x 2	x 4
WSA-5026	x 2	x 5

### \*Note:

WSS-I series screens require horn mounting plates when installed to fixed height Bambusa Stix .

### \*\*Note:

Shown sizes are for rectangular Worktops only. For screens to suit 90°, 120° & clusters - please consult your Thinking Works representative.



# Lovoc

## Frame Mounted Upholstered Screen on Ovation - Fixed Height

### Materials Information

#### Upholstered Screen

Fabric

- a. Customer Supplied Fabric
- b. Thinking Works Preferred Fabric

#### Screen Mounts

Powdercoat Aluminium Screen Mount and Extrusion

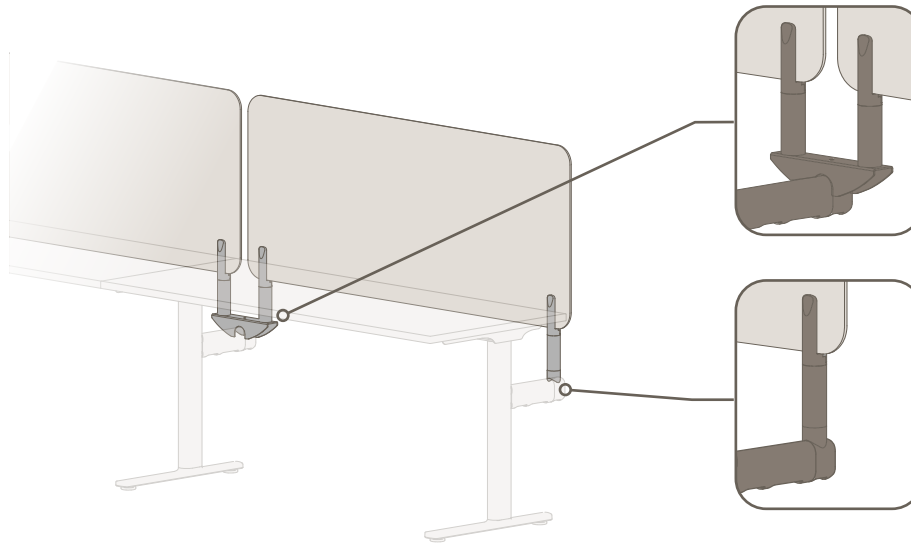
- a. Noir
- b. Blanc

#### Compatible with:

- a. Bambusa Stix - Fixed - double-sided

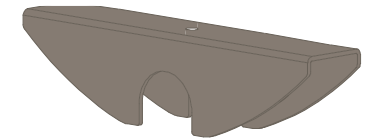
### WSS-I-1460 / 1480 / 1860 / 1880 / 2160 / 2180 Series

### Single Sided Clusters



Ovation fixed height clusters require bridge brackets at each shared middle leg to mount screens.

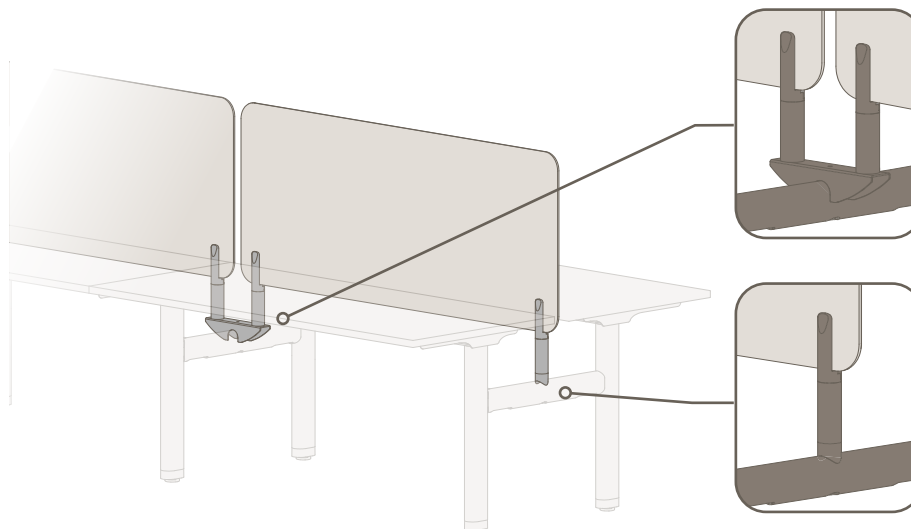
At end leg the screens mount directly to cross beam.



WSA-5027  
Bridge Bracket  
sold separately

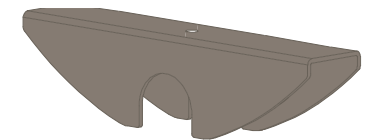
### WSS-I-1460 / 1480 / 1860 / 1880 / 2160 / 2180 Series

### Double Sided Clusters



Ovation fixed height clusters require bridge brackets at each shared middle leg to mount screens.

At end leg the screens mount directly to cross beam.



WSA-5027  
Bridge Bracket  
sold separately

#### \*Note:

WSS-I series screens may require a bridge bracket when installed to fixed height Ovation.

#### \*\*Note:

Shown sizes are for rectangular Worktops only. For screens to suit 90°, 120° & clusters - please consult your Thinking Works representative.

# Lovoc Screen Accessories

## Materials Information

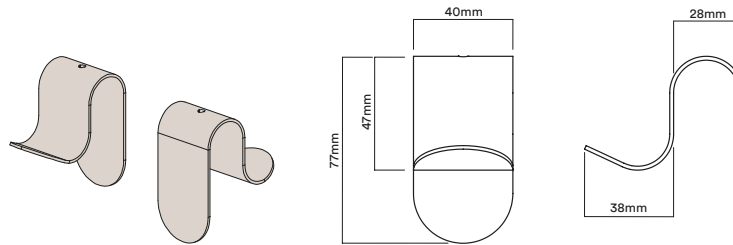
### Screen Hook

Powder coated steel

- a. Noir
- b. Blanc
- c. Seasonal Colour

LVA-1000

Reversible Screen Hook



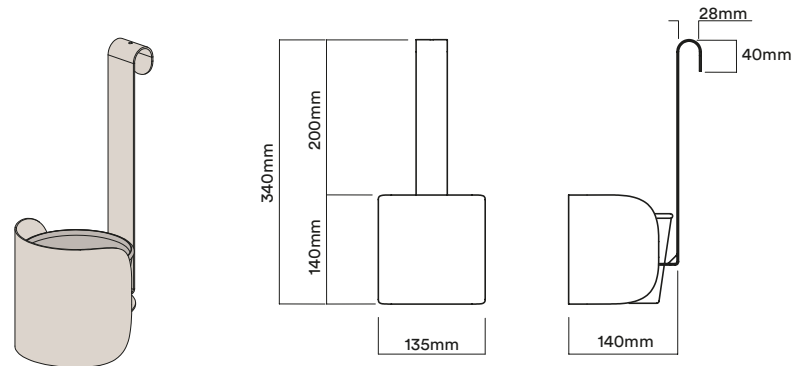
### Screen Planter

Powder coated steel

- a. Noir
- b. Blanc
- c. Seasonal Colour

LVA-1001

Screen Planter



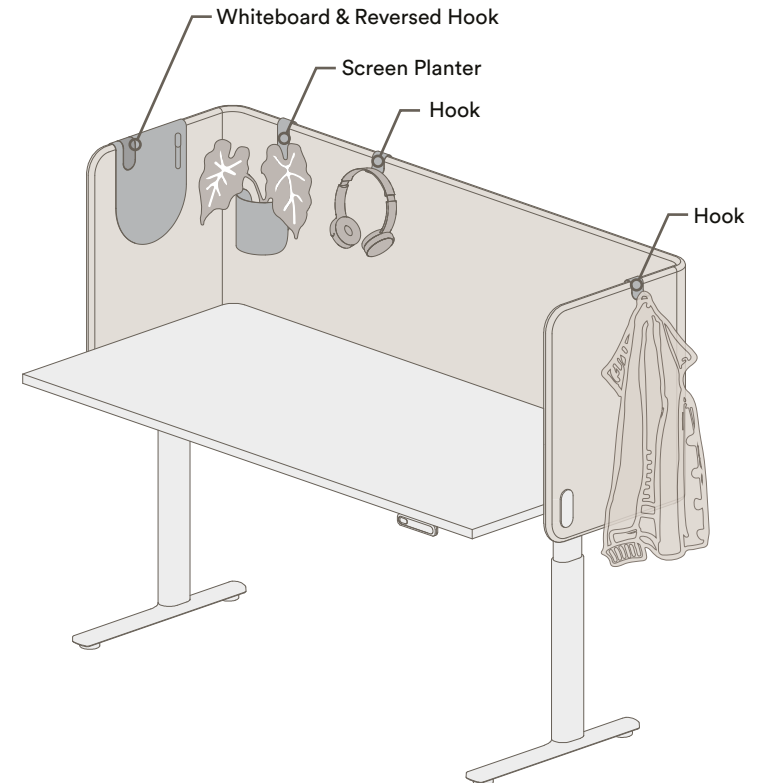
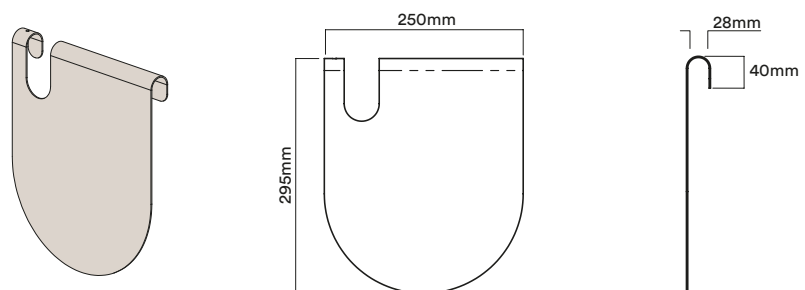
### Screen Whiteboard

Powder coated steel

- a. Whiteboard Gloss

LVA-1002

Screen Whiteboard



# Lovoc Custom Services

## Information

### Combine

Combine multiple standard screens with 90° or 120° - or without returns to create tailored privacy screen solutions.

### Change

Lovoc is a modular system that allows custom heights and length.

### Choose

Most upholstery fabrics are compatible with Lovoc in some instances the fabric requires foam backing.

To create custom shapes, sizes or colours - please consult your Thinking Works representative for more information.

## Combinations of standard screens and custom solutions

