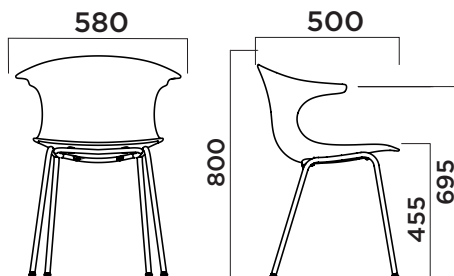


LOOP MONO 4 legs Non - stackable

5088-4LNP / 5088-O4NP

Design Claus Breinholt



FRAME

TELAIO
BASTIDOR

Metal frame in round tube diameter 16 mm, thickness 2 mm, accordingly with UNI EN 10305-3 rule.

Telaio in metallo con tubo tondo di diametro 16mm, spessore 2mm, prodotto secondo la norma UNI EN 10305-3 .

Estructura metálica en tubo redondo diámetro 16 mm, espesor 2 mm, conforme norma UNI EN 10305-3.



OUTDOOR FRAME

TELAIO OUTDOOR
BASTIDOR PARA
EXTERIORES

Epoxy-polyester powder painted frame for outdoor, average thickness 50 µ.

Telaio per esterno verniciato a polveri epossipoliestere spessore medio 50 µ.

Estructura pintada epoxy para exteriores, espesor medio de 50 µ.



SHELL

SCOCCA
CARCASA

Post consumer industrial Polypropylene + Glass Fiber

Post consumer industrial Polypropylene + Glass Fiber

Post consumer industrial Polypropylene + Glass Fiber



Polypropylene + Glass Fiber

Polypropylene + Glass Fiber

Polypropylene + Glass Fiber



FINISHING

FINITURA
ACABADO

Painted frame with epoxy-polyester powder with average thickness of 50 µ. Chromed frame with average thickness of 5 µ.

Telaio verniciato con polveri epossi-poliestere spessore medio di 50 µ. Telaio cromato con spessore medio 5 µ.

Bastidor con recubrimiento en polvo epoxi-poliéster con 50 µ de espesor medio. Bastidor cromado con 5 µ de espesor medio.

PKG

IMBALLO
EMBALAJE

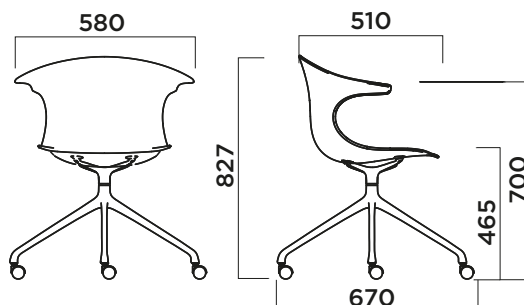
| Pkg | A(cm) | B(cm) | h(cm) | MC | PCS | Weight (kg) |
|-----|-------|-------|-------|------|-----|-------------|
| | 59 | 63 | 85.5 | 0.32 | 1 | 11.1 |

Reproduction of this document is strictly prohibited without prior written authorisation from Omp srl. Sizes, weights and finishes may change without previous notice.
 È vietata la riproduzione del seguente documento senza previa autorizzazione scritta da parte di Omp srl. Dimensioni, pesi e finiture possono variare senza alcun preavviso.
 La reproducción de este documento está estrictamente prohibida sin la autorización previa de Omp srl. Los tamaños, pesos y acabados pueden cambiar sin previo aviso.

LOOP MONO swivel with castors

5088-4SCP

Design Claus Breinholt



BASE AND SUPPORT

BASE E SUPPORTO

BASE AND SUPPORT

Polished die casting aluminium 4 star base.

Base 4 razze alluminio presso fuso pulito.

Base 4 radios de aluminio fundido a presión pulido.



SHELL

SCOCCA

CARCASA

Post consumer industrial Polypropylene + Glass Fiber

Post consumer industrial Polypropylene + Glass Fiber

Post consumer industrial Polypropylene + Glass Fiber



Polypropylene + Glass Fiber

Polypropylene + Glass Fiber

Polypropylene + Glass Fiber



SUPPORT

SUPPORTO

SOPORTE

Polished die casting aluminium.

Alluminio presso fuso pulito.

Aluminio fundido a presión pulido

FINISHING

FINITURA

ACABADO

Painted aluminium base and support with epoxy-polyester powder with average thickness of 50 µ.

Base e supporto in alluminio verniciato a polvere epossipoliéster con spessore medio di 50 µ

Base y soporte de aluminio con recubrimiento en polvo epoxi-poliéster con 50 µ de espesor medio.

CASTORS

RUOTE

RUEDAS PIVOTANTES

Castors diam. 60 stem 11.

Ruote diam. 60 stem 11.

Ruedas pivotantes diám. 60 perno 11.

PKG

IMBALLO

EMBALAJE

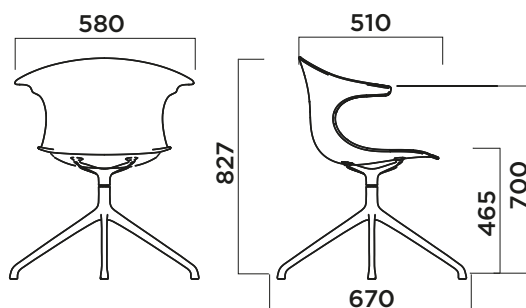
| Pkg | A(cm) | B(cm) | h(cm) | MC | PCS | Weight (kg) |
|-----|-------|-------|-------|----|------|-------------|
| 59 | 63 | 85.5 | 0.32 | 1 | 12.3 | |

Reproduction of this document is strictly prohibited without prior written authorisation from Omp srl. Sizes, weights and finishes may change without previous notice.
 È vietata la riproduzione del seguente documento senza previa autorizzazione scritta da parte di Omp srl. Dimensioni, pesi e finiture possono variare senza alcun preavviso.
 La reproducción de este documento está estrictamente prohibida sin la autorización previa de Omp srl. Los tamaños, pesos y acabados pueden cambiar sin previo aviso.

LOOP MONO 4 star aluminium base

5088-4STP

Design Claus Breinholt



BASE AND SUPPORT

BASE E SUPPORTO

BASE AND SUPPORT

Polished die casting aluminium 4 star base.

Base 4 razze alluminio presso fuso pulito.

Base 4 radios de aluminio fundido a presión pulido.



SHELL

SCOCCA

CARCASA

Post consumer industrial Polypropylene + Glass Fiber

Post consumer industrial Polypropylene + Glass Fiber

Post consumer industrial Polypropylene + Glass Fiber



Polypropylene + Glass Fiber

Polypropylene + Glass Fiber

Polypropylene + Glass Fiber



SUPPORT

SUPPORTO

SOPORTE

Polished die casting aluminium.

Alluminio presso fuso pulito.

Aluminio fundido a presión pulido

FINISHING

FINITURA

ACABADO

Painted aluminium base and support with epoxy-polyester powder with average thickness of 50 µ.

Base e supporto in alluminio verniciato a polvere epossipoliéster con spessore medio di 50 µ

Base y soporte de aluminio con recubrimiento en polvo epoxi-poliéster con 50 µ de espesor medio.

FEET

PIEDINI

PIES DE APOYO

Polypropylene

Polipropilene

Polipropileno

PKG

IMBALLO

EMBALAJE

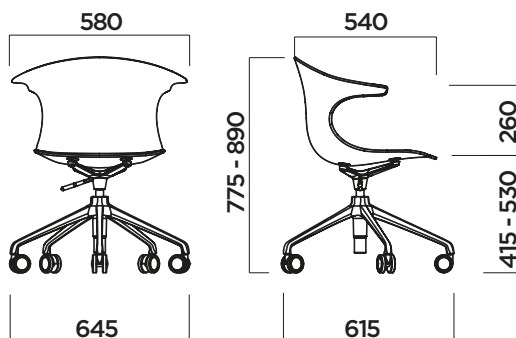
| Pkg | A(cm) | B(cm) | h(cm) | MC | PCS | Weight (kg) |
|-----|-------|-------|-------|----|------|-------------|
| 59 | 63 | 85.5 | 0.32 | 1 | 11.9 | |

Reproduction of this document is strictly prohibited without prior written authorisation from Omp srl. Sizes, weights and finishes may change without previous notice.
 È vietata la riproduzione del seguente documento senza previa autorizzazione scritta da parte di Omp srl. Dimensioni, pesi e finiture possono variare senza alcun preavviso.
 La reproducción de este documento está estrictamente prohibida sin la autorización previa de Omp srl. Los tamaños, pesos y acabados pueden cambiar sin previo aviso.

LOOP MONO 5 star updown

5088-5SUP

Design Claus Breinholt



BASE AND SUPPORT

BASE E SUPPORTO

BASE AND SUPPORT

Polished die casting aluminium 4 star base.

Base 4 razze alluminio presso fuso pulito.

Base 4 radios de aluminio fundido a presión pulido.



SHELL

SCOCCA

CARCASA

Post consumer industrial Polypropylene + Glass Fiber

Post consumer industrial Polypropylene + Glass Fiber

Post consumer industrial Polypropylene + Glass Fiber



Polypropylene + Glass Fiber

Polypropylene + Glass Fiber

Polypropylene + Glass Fiber



SUPPORT

SUPPORTO

SOPORTE

Polished die casting aluminium.

Alluminio presso fuso pulito.

Aluminio fundido a presión pulido

FINISHING

FINITURA

ACABADO

Painted aluminium base and support with epoxy-polyester powder with average thickness of 50 µ.

Base e supporto in alluminio verniciato a polvere epossipoliéster con spessore medio di 50 µ

Base y soporte de aluminio con recubrimiento en polvo epoxi-poliéster con 50 µ de espesor medio.

CASTORS

RUOTE

RUEDAS PIVOTANTES

Castors diam. 60 stem 11.

Ruote diam. 60 stem 11.

Ruedas pivotantes diám. 60 perno 11.

PKG

IMBALLO

EMBALAJE

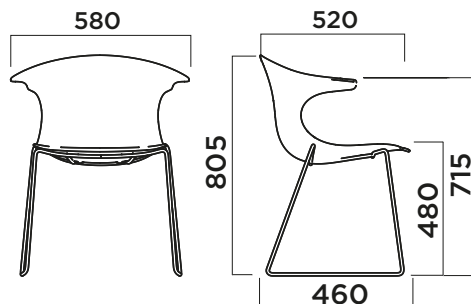
| Pkg | A(cm) | B(cm) | h(cm) | MC | PCS | Weight (kg) |
|-----|-------|-------|-------|------|-----|-------------|
| | 64 | 64 | 88.5 | 0.36 | 1 | 13.3 |

Reproduction of this document is strictly prohibited without prior written authorisation from Omp srl. Sizes, weights and finishes may change without previous notice.
 È vietata la riproduzione del seguente documento senza previa autorizzazione scritta da parte di Omp srl. Dimensioni, pesi e finiture possono variare senza alcun preavviso.
 La reproducción de este documento está estrictamente prohibida sin la autorización previa de Omp srl. Los tamaños, pesos y acabados pueden cambiar sin previo aviso.

LOOP MONO sled

5088-SLDP / 5088-OSLP

Design Claus Breinholt



FRAME

TELAIO
BASTIDOR

Metal frame in drawn rod diameter 11 mm – Fe360

Struttura in metallo in tondino diametro 11 mm – Fe360

Bastidor metálico de varilla de 11 mm de diámetro - Fe360



OUTDOOR FRAME

TELAIO OUTDOOR
BASTIDOR PARA
EXTERIORES

Epoxy-polyester powder painted frame for outdoor, average thickness 50 µ.

Telaio per esterno verniciato a polveri epossipoliestere spessore medio 50 µ.

Estructura pintada epoxy para exteriores, espesor medio de 50 µ.



SHELL

SCOCCA
CARCASA

Post consumer industrial Polypropylene + Glass Fiber

Post consumer industrial Polypropylene + Glass Fiber

Post consumer industrial Polypropylene + Glass Fiber



Polypropylene + Glass Fiber

Polypropylene + Glass Fiber

Polypropylene + Glass Fiber



FINISHING

FINITURA
ACABADO

Painted frame with epoxy-polyester powder with average thickness of 50 µ. Chromed frame with average thickness of 5 µ.

Telaio verniciato con polveri epossi-poliestere spessore medio di 50 µ. Telaio cromato con spessore medio 5 µ.

Bastidor con recubrimiento en polvo epoxi-poliéster con 50 µ de espesor medio. Bastidor cromado con 5 µ de espesor medio.

PKG

IMBALLO
EMBALAJE

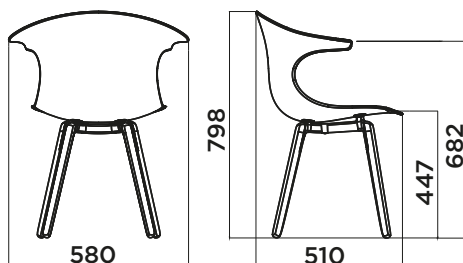
| Pkg | A(cm) | B(cm) | h(cm) | MC | PCS | Weight (kg) |
|-----|-------|-------|-------|------|-----|-------------|
| | 59 | 63 | 85.5 | 0.32 | 2 | 18.4 |

Reproduction of this document is strictly prohibited without prior written authorisation from Omp srl. Sizes, weights and finishes may change without previous notice.
 È vietata la riproduzione del seguente documento senza previa autorizzazione scritta da parte di Omp srl. Dimensioni, pesi e finiture possono variare senza alcun preavviso.
 La reproducción de este documento está estrictamente prohibida sin la autorización previa de Omp srl. Los tamaños, pesos y acabados pueden cambiar sin previo aviso.

LOOP MONO wooden legs

5088-WLGP

Design Claus Breinholt



WOODEN LEGS

GAMBE LEGNO
PATAS DE MADERA

Solid natural beech legs.

Solid natural beech legs.

Solid natural beech legs.



FGVAN



FGTA04



FGLP04G



FGLP06G

SHELL

SCOCCA
CARCASA

Post consumer industrial Polypropylene + Glass Fiber

Post consumer industrial Polypropylene + Glass Fiber

Post consumer industrial Polypropylene + Glass Fiber



IR8022



IR6013



IP7608U



IS503

Polypropylene + Glass Fiber

Polypropylene + Glass Fiber

Polypropylene + Glass Fiber



S020



S514



P421C

PKG

IMBALLO
EMBALAJE

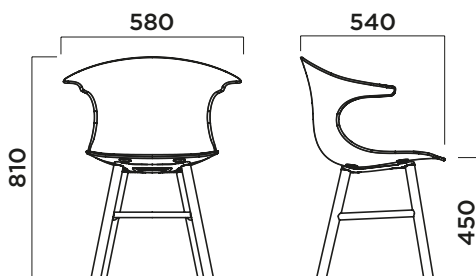
| Pkg | A(cm) | B(cm) | h(cm) | MC | PCS | Weight (kg) |
|-----|-------|-------|-------|------|-----|-------------|
| | 59 | 63 | 85.5 | 0.32 | 1 | 11.1 |

Reproduction of this document is strictly prohibited without prior written authorisation from Omp srl. Sizes, weights and finishes may change without previous notice.
 È vietata la riproduzione del seguente documento senza previa autorizzazione scritta da parte di Omp srl. Dimensioni, pesi e finiture possono variare senza alcun preavviso.
 La reproducción de este documento está estrictamente prohibida sin la autorización previa de Omp srl. Los tamaños, pesos y acabados pueden cambiar sin previo aviso.

LOOP MONO retro

5088-W RTP

Design Claus Breinholt



RETRO FRAME

TELAIO RETRO

BASTIDOR ESTILO RETRO

Solid natural beech. Solid natural oak.

Solid natural beech. Solid natural oak.

Solid natural beech. Solid natural oak.



ROVAN



ROTA04

SHELL

SCOCCA

CARCASA

Post consumer industrial Polypropylene + Glass Fiber

Post consumer industrial Polypropylene + Glass Fiber

Post consumer industrial Polypropylene + Glass Fiber



IR8022



IR6013



IP7608U



IS503

Polypropylene + Glass Fiber

Polypropylene + Glass Fiber

Polypropylene + Glass Fiber



S020



S514



P421C

FEET

PIEDINI

PIES DE APOYO

Polypropylene.

Polipropilene

Polipropileno

PKG

IMBALLO

EMBALAJE

| Pkg | A(cm) | B(cm) | h(cm) | MC | PCS | Weight (kg) |
|-----|-------|-------|-------|------|-----|-------------|
| | 59 | 63 | 85.5 | 0.32 | 1 | 11.1 |

Reproduction of this document is strictly prohibited without prior written authorisation from Omp srl. Sizes, weights and finishes may change without previous notice.
 È vietata la riproduzione del seguente documento senza previa autorizzazione scritta da parte di Omp srl. Dimensioni, pesi e finiture possono variare senza alcun preavviso.
 La reproducción de este documento está estrictamente prohibida sin la autorización previa de Omp srl. Los tamaños, pesos y acabados pueden cambiar sin previo aviso.