

FourFold®

Design by Broom Jenkins

FACT SHEET / TECHNICAL & ENVIRONMENTAL SPECIFICATION



FourFold®

Design by Broom Jenkins

Product options

VARIATIONS

Comes with 4 height adjustable castors (black) with brakes

Rectangular:
140x70 cm
150x75 cm
160x80 cm
180x80 cm

Trapezoid:
140x70 cm
150x75 cm

Taper:
140x100/70 cm

ACCESSORIES

Lock (set of two)



TABLE TOP FINISHES

 White Laminat W980	 White Decor W980
 Light Grey Egger U763 Laminat	 Light Grey Egger U763 Decor
 Grey Egger U732 Laminat	 Grey Egger U732 Decor
 Oak Laminat R20021	
 Warm Grey Arpa Fenix Nano 0718 Laminat	 Rosso Jaipur Arpa Fenix Nano 0751 Lam.
 Anthracite Arpa Fenix Nano 0724 Laminat	 Verde Comodoro Arpa Fenix Nano 0750 Lam.
 Black Arpa Fenix Nano 0720 Laminat	 Blu Fes Arpa Fenix Nano 0754 Lam.

FRAME COLOUR

 Matt Black RAL 7021	 Matt White RAL 9010
 Stone Grey RAL 7039	 Beach IGP 681 TA 77644 A 00
 Anthracite RAL 7024 gl.5	 Olive RAL 7042 gl. 5
 Chrome	 Orange IGP 681 TA 21349 A 00
 Pine IGP 591 TA 79407 R10	 Oriental Red IGP 581 TA 33080 A 00
 Moss IGP 591 TA 64445 R10	 Jungle Green IGP 681 TA 64014 A 00
 Terracotta IGP 591 TA 83991 R10	 Aqua S4020-B IGP 581 TA 52240 A 00
 Clay IGP 591 TA 79406 R10	

Enter a product that is equal parts timeless design and smart engineering: The four-legged flip-top FourFold® table never stops generating intrigue. So easy to handle. So flexible. Fit for various occasions, room settings, the FourFold® is the modern magic of multipurpose tables. The structure of the table allows for efficient storage and multiple configurations. Just about anywhere you like.

Technical specifications

WEIGHT

Rectangular
 140x70 cm: 25,7 kg.
 150x75 cm: 28,5 kg.
 160x80 cm: 31,3 kg.
 180x80 cm: 34 kg.

Trapezoid
 140x70 cm: 19,9 kg.
 150x75 cm: 21,9 kg.

Taper
 140x100/70 cm: 29,3kg.

TEST

EN 15372:2016 - L2
 ANSI/BIFMA X5.5-2021

WARRANTY

10-year extended warranty.
[Discover more about our extended warranty](#) ↗



Materials

TABLE TOP

Decor: Chip board with decor laminate and ABS-edge. Thickness: 19 mm.

Laminate: Chip board with high-pressure laminate or Fenix laminate and ABS-edge. Thickness 20 mm.

FRAME, STEEL

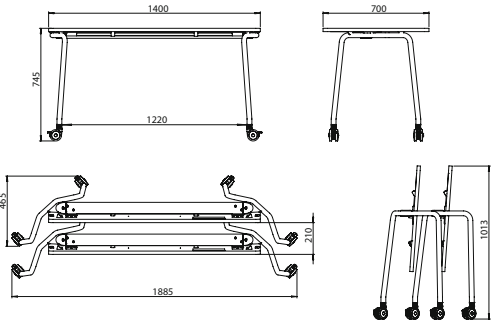
Legs: Ø32 x 2.5 mm, S235 steel, EN 10305-3 F300C

Beam: Aluminium EN AW-6063 T3, nature aluminium colour

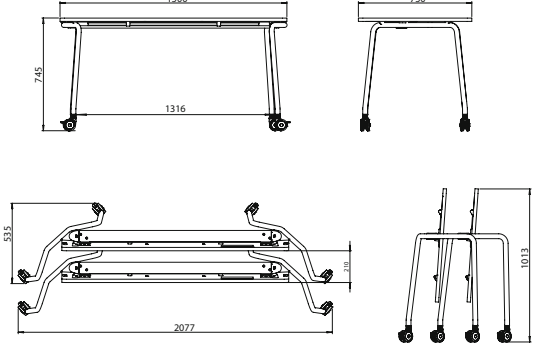
Turn mechanism: Cast aluminium ADC12, nature aluminium colour
 The plastic parts on the table are made in PA-6 plastic
 4 height adjustable castors:
 Total lock, roll / turn

Dimensions

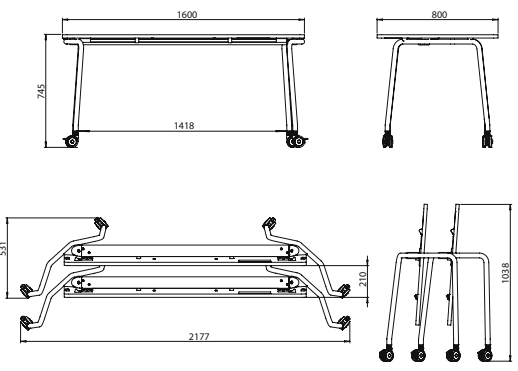
Rectangular - 1400 x 700



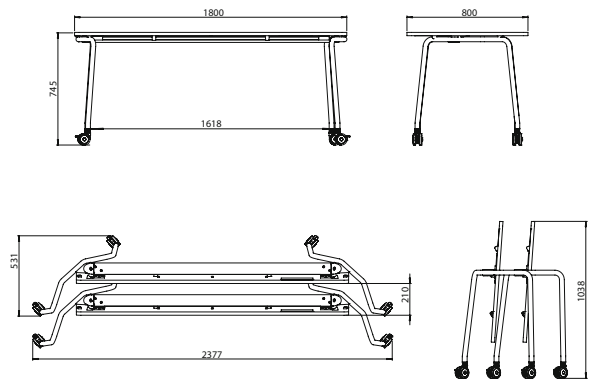
Rectangular - 1500 x 750



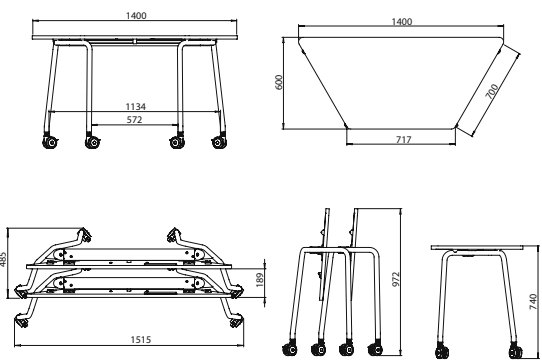
Rectangular - 1600 x 800



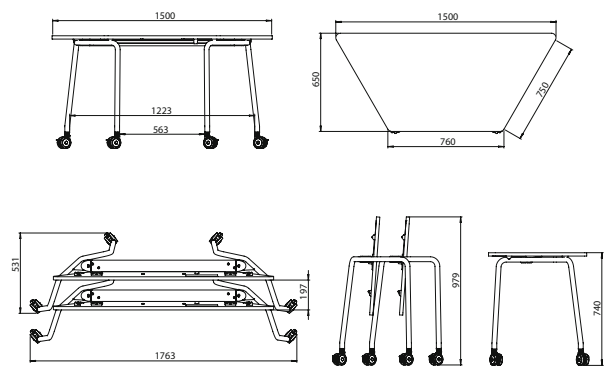
Rectangular - 1800 x 800



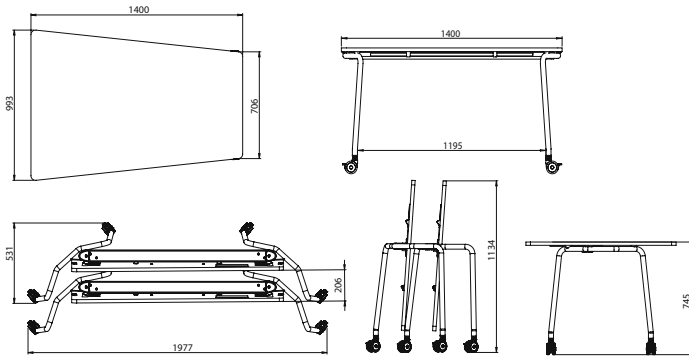
Trapezoid - 1400 x 700



Trapezoid - 1500 x 750



Taper - 1400 x 1000-700



Environmental data

Product environmental data can assist you in meeting the requirements for LEED, BREEAM, WELL, and SKA building certifications.

FOURFOLD® RECTANGLE, 1400X700



RECYCLED CONTENT



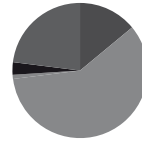
RECYCLABILITY



CARBON FOOTPRINT

180
Kg CO₂e per unit

MATERIAL BREAKDOWN

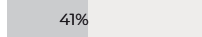


- Glue (1%)
- Engineered wood (59%)
- Aluminum (14%)
- Steel (23%)
- Plastic (3%)

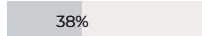
FOURFOLD® RECTANGLE, 1500X750



RECYCLED CONTENT



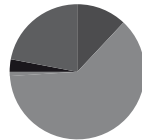
RECYCLABILITY



CARBON FOOTPRINT

190
Kg CO₂e per unit

MATERIAL BREAKDOWN

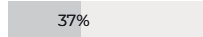


- Glue (1%)
- Engineered wood (62%)
- Aluminum (12%)
- Steel (22%)
- Plastic (3%)

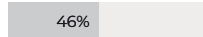
FOURFOLD® TRAPEZ, 1500X750



RECYCLED CONTENT



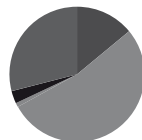
RECYCLABILITY



CARBON FOOTPRINT

190
Kg CO₂e per unit

MATERIAL BREAKDOWN



- Glue (1%)
- Engineered wood (53%)
- Aluminum (14%)
- Steel (29%)
- Plastic (3%)

CARBON FOOTPRINT

The carbon footprint (CO₂e) covers the full product life cycle, cradle-to-grave. Calculations follow the Product Environmental Footprint (PEF) methodology.

DISCLAIMER

Please note: These calculations use MÅLBAR's tool and depend on available input data. Where data is missing, conservative estimates are applied. For our full disclaimer, [click here](#)

Quality and environment

At Ocee & Four Design, we care about sustainability. We strive to reduce our impact by producing quality furniture in a sustainable manner. Find out more about our journey on [Oceeandfour.com](https://oceeandfour.com) ↗

COMPANY CERTIFICATIONS

ISO 9001
ISO 14001
Forest Stewardship Council® (FSC®) Chain of Custody (License Code: FSC-C161956)
FISP Full Membership

WARRANTY

We stand behind the quality and durability of our

products. That's why we are pleased to offer a warranty of 5, 10, or 25 years, depending on the specific product.

These warranty's cover breakage and damage of products occurring because of deficient craftsmanship performance under normal use. The warranty shall lapse if the product shows signs of mishandling abuse or other physical damage. The warranty does not cover those parts of the product which are exposed to abrasion during use.

For full details on the warranty period applicable to your

product, along with terms and conditions, please refer to our extended [Warranty brochure](#) ↗

INSTRUCTIONS

Assembly instructions can be found at our website.

MAINTENANCE

Refer to our [Maintenance Guide](#) ↗

DISASSEMBLY & RECYCLING

Products should be disassembled and separated into their components and materials before recycling. Most products can be disassembled using hand tools.

Metal parts are commonly recycled. Powder coated frames are treated with a paint classified as not dangerous according to directive 1999/45/EF. Wood can either be recycled or incinerated. Plastic shells can be recycled. Upholstery and veneer shells are not recyclable but can be disposed of through incineration. Processes for recycling vary so check with your waste management organisation.